



2MP – D-WDR Box camera - IP Network

* Lens C/CS Mount not included / Iris DC IRIS / True Day & Night

OR-284i



Excl. lens

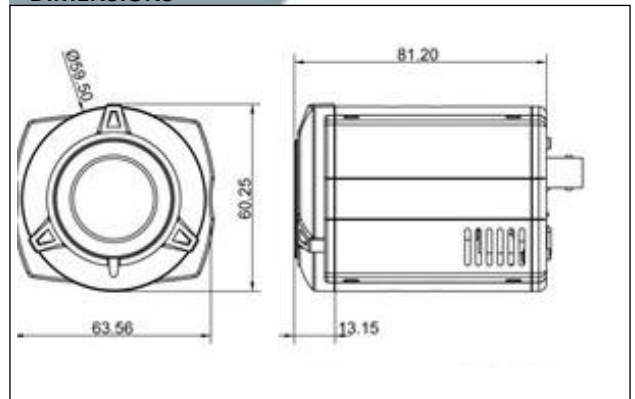
GENERAL FEATURES

- SONY CMOS Sensor IMX-122
- Dual Stream - H.264 / MJPEG Network Camera
- Alarm Trigger VMD, External Alarm Input
- Multi Language GUI support
- ONVIF Profile S Compliant
- Triple Power: 12VDC, 24VAC, PoE(802.3af)
- Privacy Mask - Yes (4)
- 3D DNR. (Depends on CODEC configuration)
- DPC(Defective Pixel Correction) on the fly
- Analog Output (Installation Only)

SPECIFICATIONS

Image Sensor	1/2.8" Sony IMX-122 CMOS Sensor	
Max. Resolution	1920 x 1080	
White Balance	ATW / MANUAL(PRESET)	
Electronic Zoom	2 ~ 10x(Client Software)	
AGC	Yes	
BLC	Yes	
WDR	D-WDR	
E-Shutter Speed	1/4~1/2000	
Slow Shutter	Off, x2, x4, x8	
D&N	Day & Night	Removable IR Cut Filter
	D->N threshold	SW (picture based)
	N->D threshold	SW (picture based)
AUDIO In/Out CODEC	Line in/out - External Amplifier is needed G.711 / 8K sampling	
Network	10BASE-T, 100BASE-TX, RJ45	
Resolution	1920 x 1080(Full HD), 1280 x 1024(SXGA), 1024x768(XGA), 1280 x 720(720p), 640 x 480(VGA), 320 x 240(QVGA), 704x480/576(4CIF), 352x240/288(CIF)	
Protocol	IPv4, HTTP, HTTPS, SMTP, UPnP, DNS, RTSP, DDNS, RTP, TCP, UDP, RTCP, DHCP, ARP, NTP	
Frame Rate	1 fps ~ 25 fps / 1 fps ~ 30 fps	
Web Browser	Internet Explorer 7 or up, Firefox, Chrome, PDA, Smart phone	
Video Motion Detection	User set 4 area - 30 Step Sensitivity	
Power Source	12VDC/300mA, AC24V/270mA, PoE(IEEE 802.3af)/3,6W	
Micro SD Card slot	SDHC card compatible SanDisk, Transcend, Kingstone, Toshiba: 2G, 4G, 8G, 16G or more, Not included	
External I/O	Alarm In x1, Alarm Out x1, Audio In x1, Audio Out x1	
Ambient Temperature	0°C ~ 40°C	
Humidity	less than 90%, Non-condensing	
Materials	Aluminum Diecasting	
Weight Dimensions	330g / 64.6(W) x 60.3(H) x 82.4(D) mm	

DIMENSIONS



ADDRESS

ITX Security co., LTD.
505-14, Kolon Digital Tower Aston Bldg #904
Gasan-Dong, Geumcheon-Gu,
SEOUL, 153-803, KOREA